

本部用リーグ戦得点表

|    | A1   |      | A2   |      | A3   |      | 総得点 | 順位 |
|----|------|------|------|------|------|------|-----|----|
|    | No.1 | No.2 | No.1 | No.2 | No.1 | No.2 |     |    |
| A1 |      |      |      |      |      |      |     |    |
| A2 |      |      |      |      |      |      |     |    |
| A3 |      |      |      |      |      |      |     |    |

|    | B1   |      | B2   |      | B3   |      | 総得点 | 順位 |
|----|------|------|------|------|------|------|-----|----|
|    | No.1 | No.2 | No.1 | No.2 | No.1 | No.2 |     |    |
| Bi |      |      |      |      |      |      |     |    |
| B2 |      |      |      |      |      |      |     |    |
| B3 |      |      |      |      |      |      |     |    |

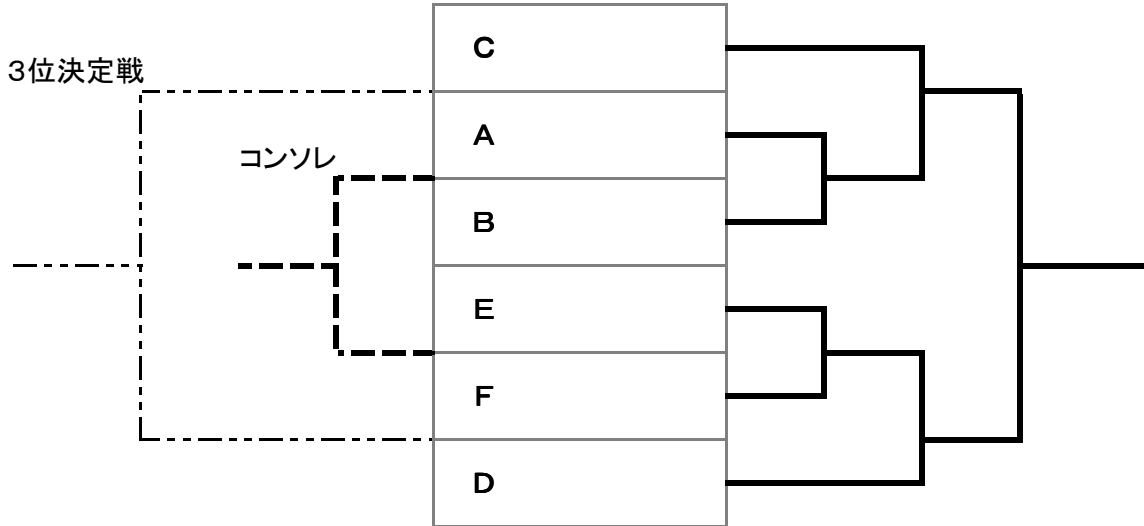
|    | C1   |      | C2   |      | C3   |      | 総得点 | 順位 |
|----|------|------|------|------|------|------|-----|----|
|    | No.1 | No.2 | No.1 | No.2 | No.1 | No.2 |     |    |
| C1 |      |      |      |      |      |      |     |    |
| C2 |      |      |      |      |      |      |     |    |
| C3 |      |      |      |      |      |      |     |    |

|    | D1   |      |      | D2   |      | D3   |      |      | 総得点    | 順位 |
|----|------|------|------|------|------|------|------|------|--------|----|
|    | No.1 | No.2 | No.3 | No.1 | No.2 | No.1 | No.2 | No.3 |        |    |
| D1 |      |      |      |      |      |      |      |      | × 0.8= |    |
| D2 |      |      |      |      |      |      |      |      |        |    |
| D3 |      |      |      |      |      |      |      |      | × 0.8= |    |

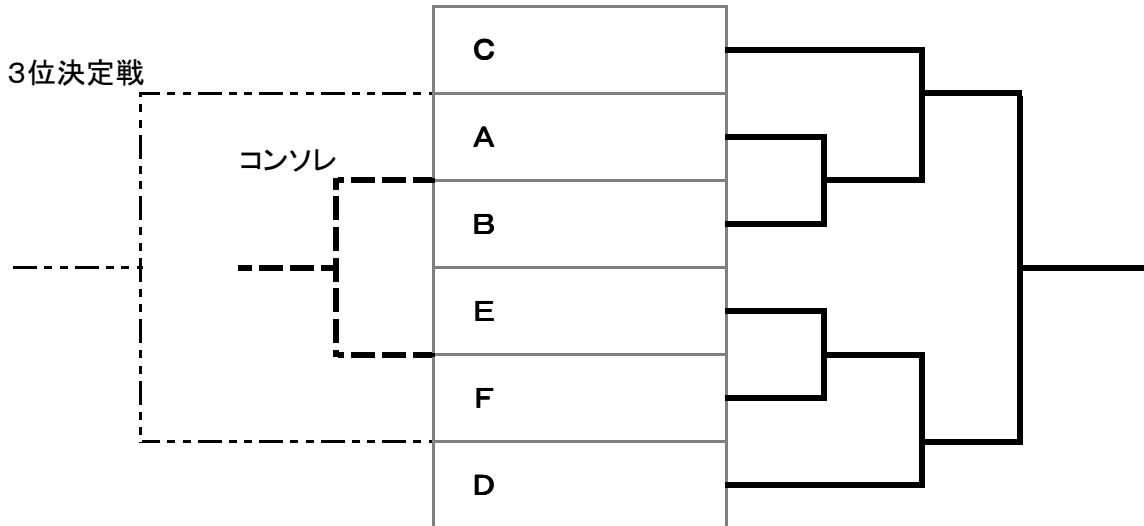
|    |      |      |      |      |      |      | 総得点 | 順位 |
|----|------|------|------|------|------|------|-----|----|
|    | No.1 | No.2 | No.1 | No.2 | No.1 | No.2 |     |    |
| E1 |      |      |      |      |      |      |     |    |
| E2 |      |      |      |      |      |      |     |    |
| E3 |      |      |      |      |      |      |     |    |

|    | F1   |      |      | F2   |      | F3   |      |      | 総得点    | 順位 |
|----|------|------|------|------|------|------|------|------|--------|----|
|    | No.1 | No.2 | No.3 | No.1 | No.2 | No.1 | No.2 | No.3 |        |    |
| F1 |      |      |      |      |      |      |      |      | × 0.8= |    |
| F2 |      |      |      |      |      |      |      |      |        |    |
| F3 |      |      |      |      |      |      |      |      | × 0.8= |    |

1位トーナメント



2位トーナメント



3位トーナメント

